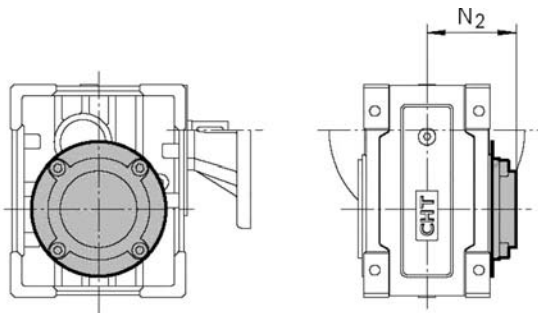


### Coprimozzo / Cover



TIPO TYPE	$N_2$
CHO 52/53	59
CHO 62/63	70
CHO 72/73	85.5
CHO 82/83	93.5